

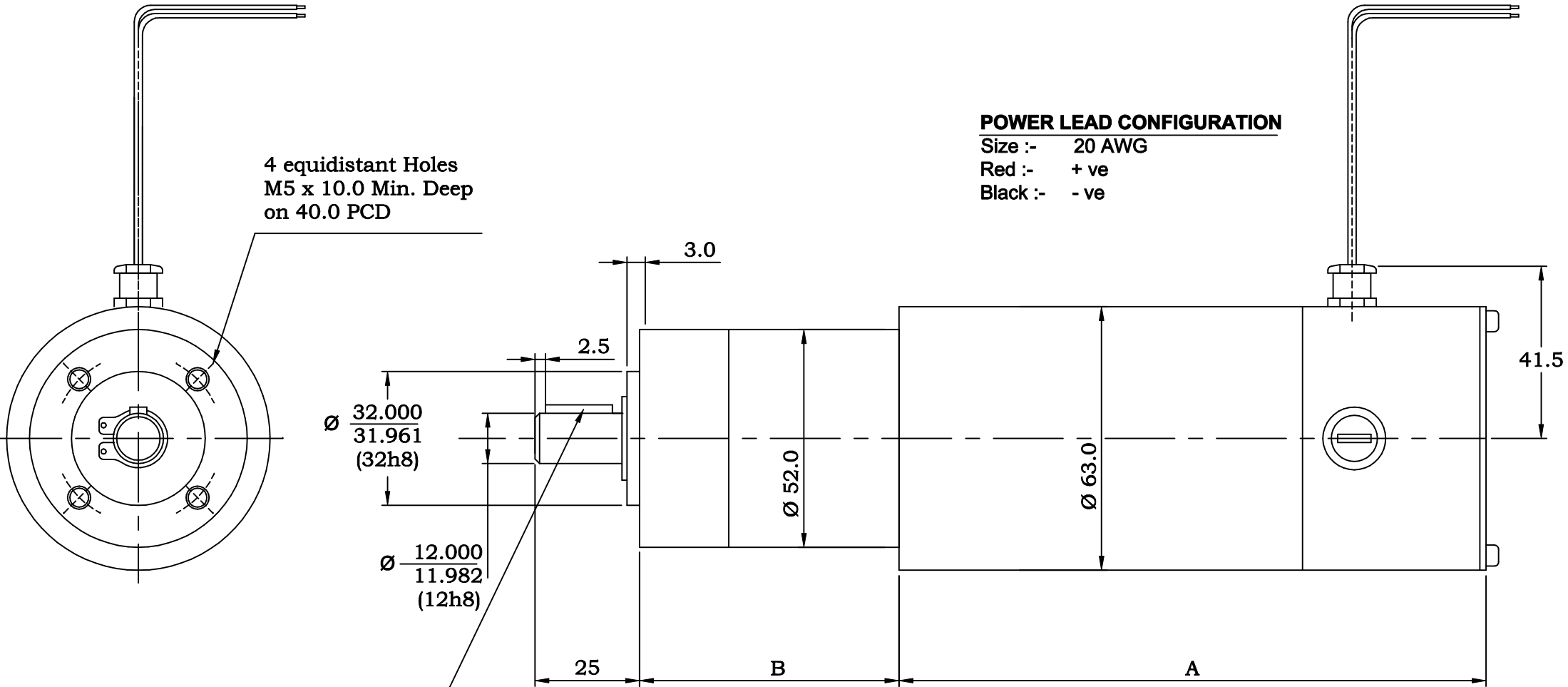
POWER LEAD CONFIGURATION

Size :- 20 AWG

Red :- + ve

Black :- - ve

4 equidistant Holes
M5 x 10.0 Min. Deep
on 40.0 PCD

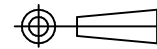


Key & keyway A 4x4x16
Din 6885 Page 1

	"A"	"B"
C4-161-BA000-000	113.0	62
C4-162-BA000-000	140.5	62

Notes:

1. Clockwise rotation as viewed from output shaft with positive voltage applied to red lead with respect to black lead.
2. All dimensions in mm.
3. Gearbox :- 2 stage, planetary, i = 29:1 (rounded)

						Tolerances.		Scale :		Weight :		
						X.X = ± 0.3 mm		1.5 : 1				
						X.XX = ± 0.1 mm		Material :				
						Ang. Dim. = $\pm 1^\circ$		Remove all burrs and sharp corners				
						Date	Name	Gear Motor Outline C4-16x-BA000-000				
						Drawn	29/9/06					POB
						App'd						
Issue	ECO. No.	Date	Name	App'd	Norm							
Callan Technology Ltd.								C4-16x-BA000-000				Sheet 1 of 1